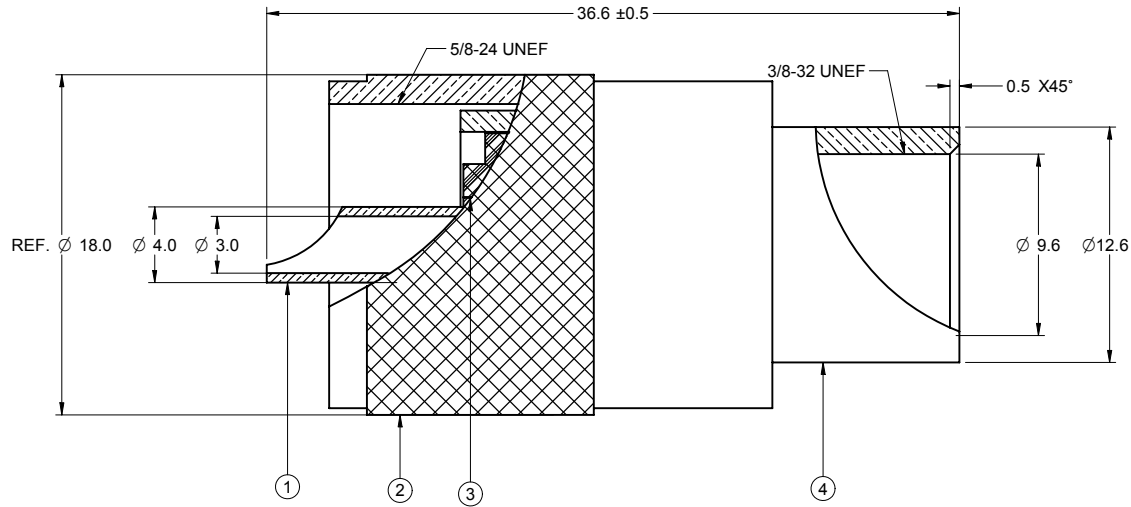
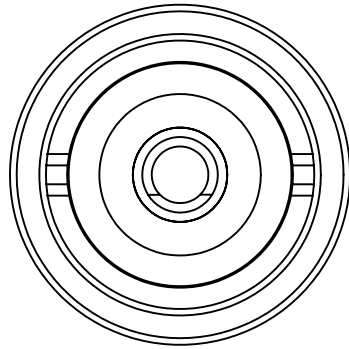


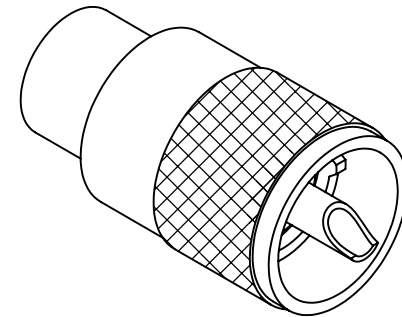
	5		4		3		2		1
PART NUMBER	ITEM ① CONTACT	ITEM ② NUT	ITEM ③ INSULATOR	ITEM ④ BODY					
25-7300	BRASS GOLD PLATED	BRASS NICKEL PLATED	DELTRIN	BRASS NICKEL PLATED					

DRAWING NO. 25-7300	
REVISIONS	
A	RELEASE FOR QUOTATION 11-10-05 W W T
B	ADD NOTES 4 & 5 10-31-06 Y U T
C	CHANGE DIM. $\Phi 12.4$ TO $\Phi 12.6$ ADD DIM. $\Phi 3.2$, Ref. $\Phi 18.0$, $0.5 \times 45^\circ$ DEL. DIM. $\Phi 17.3$ 11-28-06 Z U T



NOTES:

- ELECTRICAL SPECIFICATIONS
 IMPEDANCE: NON-CONSTANT
 FREQUENCY RANGE: 0-500 MHz
 WORKING VOLTAGE: 500 VRMS MAX AT SEA LEVEL
 DIELECTRIC WITHSTANDING VOLTAGE: 1500 VRMS MAX AT SEA LEVEL
 INSULATION RESISTANCE: 5000 MEGOHMS MINIMUM
- MECHANICAL SPECIFICATIONS
 DURABILITY: 500 CYCLES
 CABLE RETENTION: 20 LBS, RG-8, RG-213 CABLE
- ENVIRONMENTAL SPECIFICATIONS
 RECOMMENDED TEMPERATURE RANGE: -55 °C TO +85 °C
- PRODUCT SHOULD BE RoHS COMPLIANCE
- PACKAGING REQUIREMENT FOLLOWS ENGINEERING DOCUMENT P/N 836-40200001XX.



THIS DRAWING TO BE INTERPRETED PER ANSI Y 14.5M - 1994

COMPANY CONFIDENTIAL

TOLERANCE UNLESS OTHERWISE SPECIFIED		DRAWN BY GARY.ZHG		DATE 11-28-06	
DECIMALS	mm	CHECKED BY BETTY.YU		DATE 11-28-06	
X	± 0.5	APPROVED BY THOMAS		DATE 11-28-06	
X.X	± 0.2				
X.XX	± 0.1				
ANGLES	± 0.5°	U/M	mm		
THIS DRAWING WAS PRODUCED BY COMPUTER. DO NOT SCALE DRAWING OR UPDATE MANUALLY.					
EMERSON Network Power		Connectivity Solutions		TITLE PL 259 MALE SOLDER UHF 20 LBS, RG8, RG213	
SHEET 1 OF 1	DRAWING NO. 25-7300		SIZE C		